

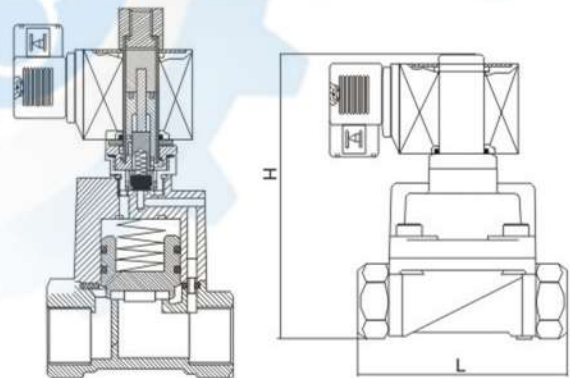
XSP Series steam solenoid valve



Product features

- Suitable medium: steam, hot water, water, light oil, air
- Medium temp.: $-5^{\circ}\text{C} - 200^{\circ}\text{C}$
- Action type: pilot operated type
- Working pressure: normally closed: 0.5 ~25 bar
normally open: 0.5 ~10 bar
- Valve body material: brass (forged), stainless steel (precision casting)
- Diaphragm sealing: material: Teflon
- Coil Protection level: Plastic coil IP65

Internal structure & profile size figure



Technology data

Model	Connecting Method	Diameter	Cv value	Length (mm)	Height (mm)	Medium temp.	Working pressure (pressure differential)	Rated voltage
XSP-10	G3/8"	15	4.8	80	145	$-5 - 200^{\circ}\text{C}$	Normally closed: 0.5-25 bar Normally open: 0.5-10 bar	220VAC/50HZ 110VAC/50HZ 24VA DC24 DC12 18W Tolerance: $\pm 10\%$ Other voltage can be customized
XSP-15	G1/2"	15	4.8	80	145			
XSP-20	G3/4"	20	7.6	86	155			
XSP-25	G1"	25	12	100	170			
XSP-10S	G3/8"	15	4.8	80	145			
XSP-15S	G1/2"	15	4.8	80	145			
XSP-20S	G3/4"	20	7.6	86	155			
XSP-25S	G1"	25	12	100	170			